

Configuraciones básicas (sin software) MSR42



Cortina de luz Micro 400 (restablecimiento manual, sin monitoreo de salida, Teach-in Blanking)

MSR42 Configuration And Diagnostic Software - Configuration1 *

File Options Help

Design | Diagnosis | Application info

Configuration Basic configuration

Configuration: [Dropdown] Load Default Configuration Download Default Configuration

Wiring Diagram: +24 V, Lamp Receiver, Micro 400, DIN rail, GPI04, GPI03, GPI02, GPI01, OSSD 2, OSSD 1, Info2, Info1, In2, In1, 0 V, 24 V, Transmitter.

Connection possibilities

- Start mode:
 - Manual start
 - Automatic start
- External device monitoring:
 - No start release
 - Start release
- Teach-in Blanking:
 - No Teach-in
 - Teach-In

Description

Basic configuration is the out-of-box default configuration. Start Mode and Monitoring Mode (replace external device monitoring) are configured through external jumpers. Selections above show relevant wiring diagrams.

03/21/16; PM 04:09:12

Cortina de luz Micro 400 (restablecimiento manual, inicio/reinicio salida monitoreada, Teach-in Blanking)

MSR42 Configuration And Diagnostic Software - Configuration1 *

File Options Help

Design | Diagnosis | Application info

Configuration Basic configuration

Configuration: [Dropdown] Load Default Configuration Download Default Configuration

Wiring Diagram: +24 V, Lamp Receiver, Micro 400, DIN rail, GPI04, GPI03, GPI02, GPI01, OSSD 2, OSSD 1, Info2, Info1, In2, In1, 0 V, 24 V, Transmitter, K3, K4, R, C.

Connection possibilities

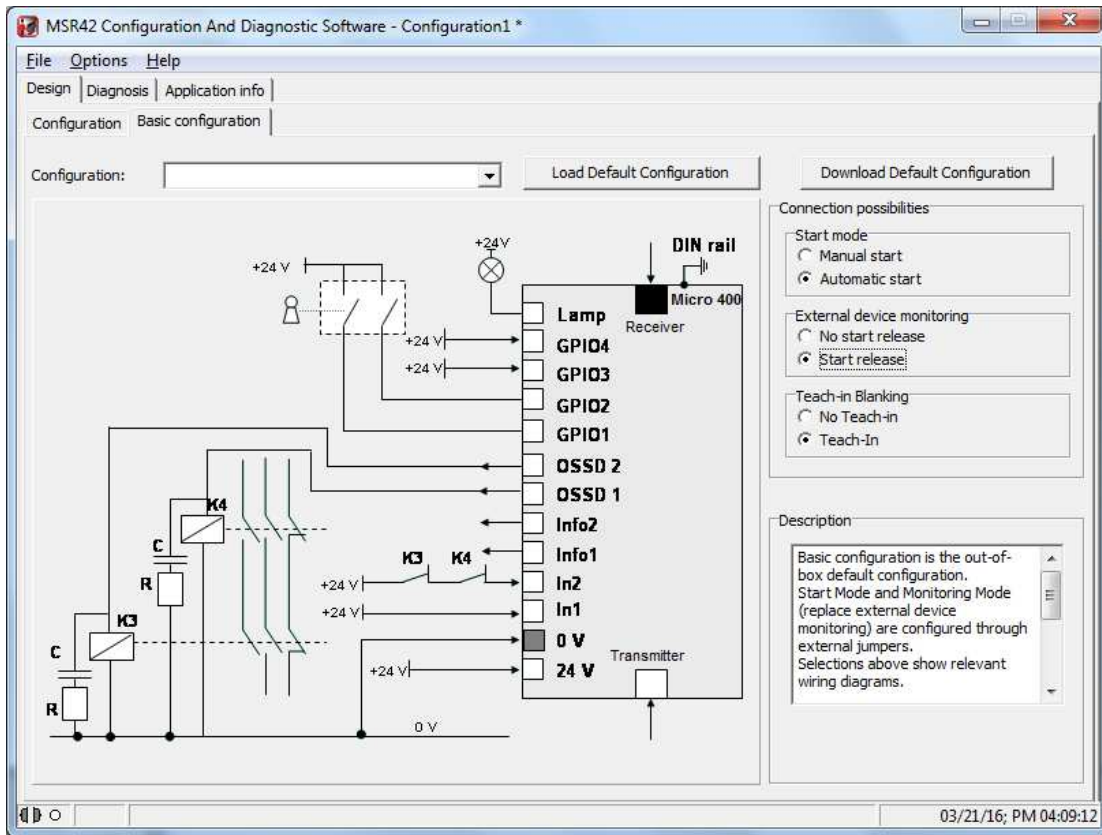
- Start mode:
 - Manual start
 - Automatic start
- External device monitoring:
 - No start release
 - Start release
- Teach-in Blanking:
 - No Teach-in
 - Teach-In

Description

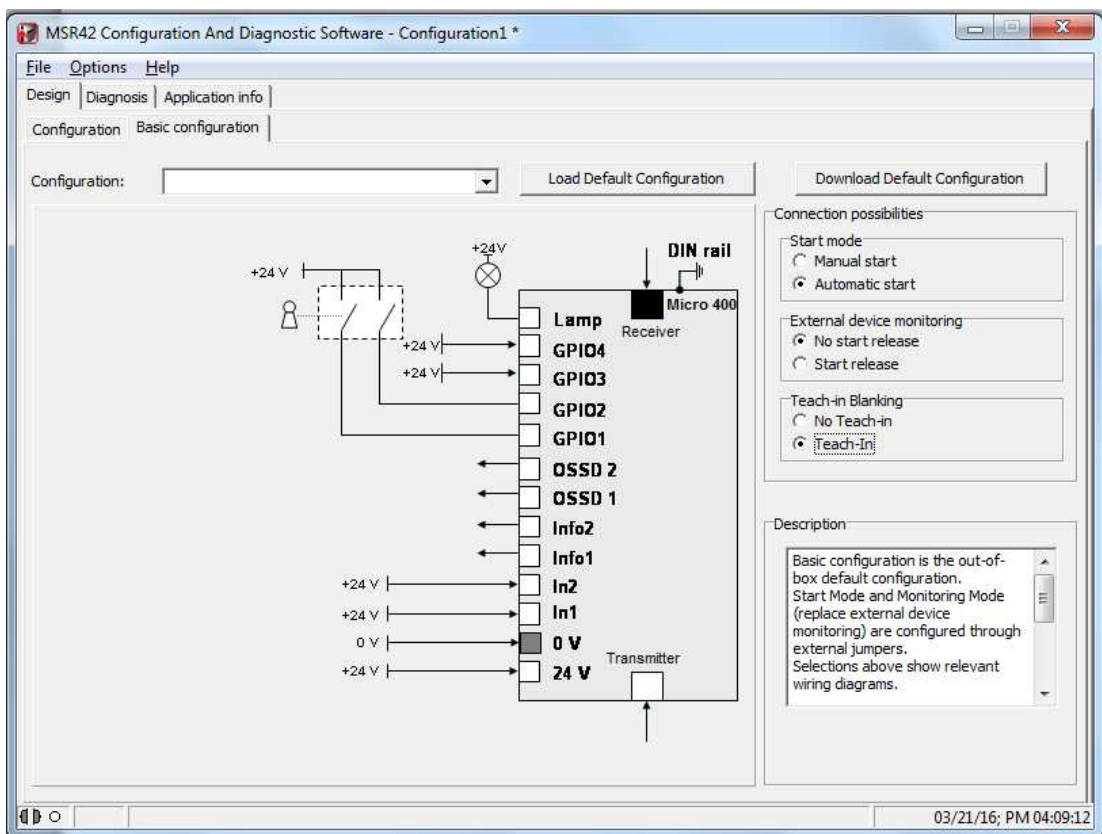
Basic configuration is the out-of-box default configuration. Start Mode and Monitoring Mode (replace external device monitoring) are configured through external jumpers. Selections above show relevant wiring diagrams.

03/21/16; PM 04:09:12

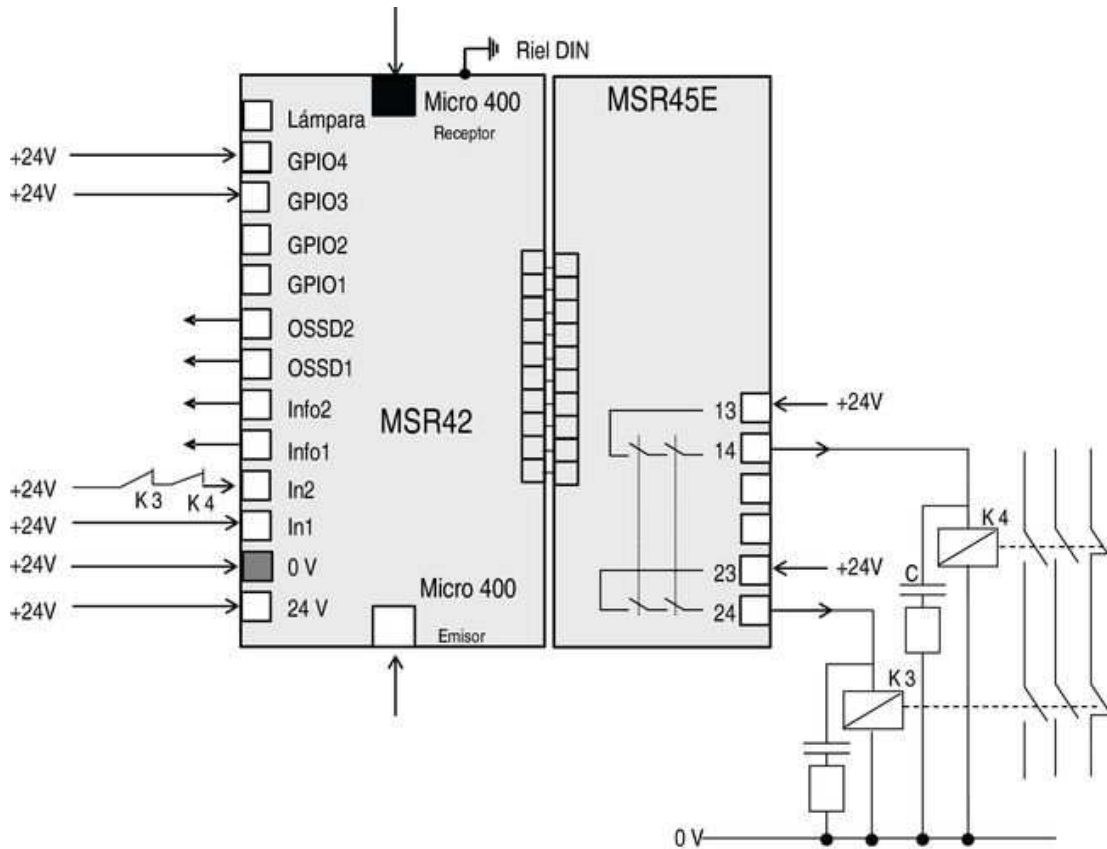
Cortina de luz Micro 400 (arranque automático, sin monitoreo de salida, Teach-in Blanking).



Cortina de luz Micro 400 (arranque automático, sin monitoreo de salida, Teach-in Blanking).



Cortina de luz Micro 400 (restablecimiento automático, inicio/reinicio salida monitoreada y módulo de expansión MSR45E)



⚠ NOTA IMPORTANTE:

En el relé controlador MSR42 si se modifica la configuración básica que viene por defecto, el Blanking fijo no se puede hacer con el selector Teach-In. Sólo se pondrán anular haces por Software, por lo tanto debes de tener en tu poder el MSR42 y Optilink (NO ES NECESARIO TENER LA BARRERA FÍSICAMENTE).

NOTA: Los haces anulados siempre hay que taparlos (monitorizarlos)

