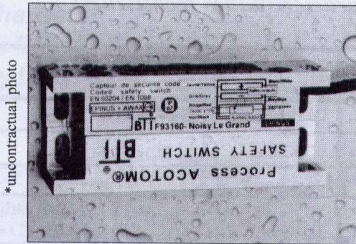


EPINUS technical data sheet



Thank you for your confidence in BTI products.
This product has been designed and manufactured to the highest quality standards.



1. Application:

EPINUS safety switch is designed to protect doors or cranks especially in food-industry.

Including all advantages of the ANATOM2® it controls mobile parts and latches them.

Moreover, provided in two kinds of cases, polycarbonate or stainless steel 316L, the safety switch works in a large range of temperature (-20°C to +85°C in stainless steel version).

Two opposite static channels indicate the state of the switch to a safety module of AWAX range which manages the dangerous function.

2. Compliance with the standards:

The EPINUS switch complies with European Standards EN 954-1 and EN 60947-5-1/2/3.

Protection to IP67 according to EN60529.

3. Mounting instructions:

With two square lugs, the two parts of the EPINUS safety switch can be easily fixed (stainless steel ZU4 washers provided). Receiver is provided with Teflon multiconductor cable diam. 4,5mm on stainless steel version or PVC diam. 5mm on polycarbonate version.

Special anti-tamper steel screws (M4x20) and tool are provided in option.

4. Operating:

The TRITHON switch is supplied with 24vDC by the associated AWAX module: the maximum current available for auxiliary outputs depends on the power available in the switch lines of the AWAX. It can be also supplied by an external stabilized supply.

When both targets of transmitter and receiver are face to face, then, both safety contacts, Yellow/White and Grey/Blue, are closed. The auxiliary static contact, green, is open.

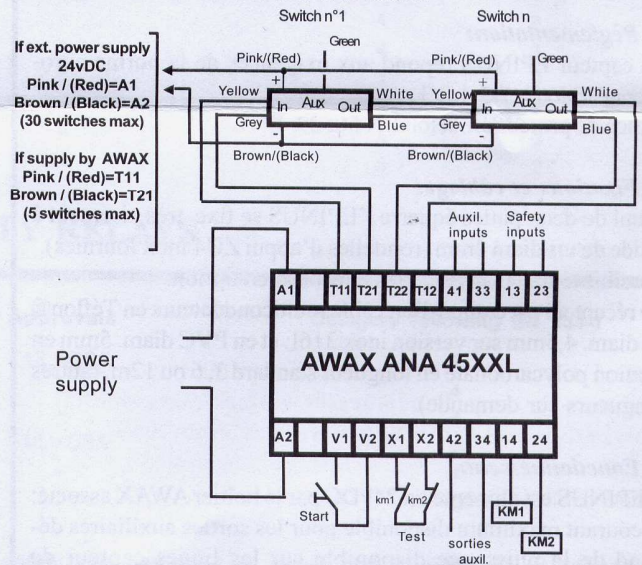
The opening of a door or a crankcase causes the passage to high impedance of both safety lines and the closing of the auxiliary line, indicating in the same way the fault to the AWAX control unit.

5. Technicals characteristics:

EPINUS	
Nominal voltage	24v DC -15% / + 10%
Current consumption	<20mA + I aux
Reponse time	< 1ms
Temperature	Stainless steel: -20 °C / 85°C Polycarbonate -20 °C / +60°C
Protection class	IP67
Auxiliary output	24v 250mA max.
Code	E 201
Sensing distance	3mm
Hysteresis	2mm
Holding force	Stainless steel 2,0Kg Polycarbonate 1,2Kg
Size L x l x h	Transmitter: 90 x 19 x 21 mm Receiver: 90 x 19 x 21mm
Weight	Transmitter: Poly. 70g / Stainless steel 170g Receiver(3m cable): Poly. 170g / Stainless steel 270g

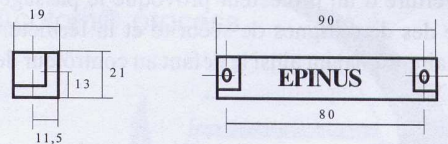
6. Wiring system:

- Example of wiring diagram with AWAX45XXL.
- NIV 4 if switch alone; NIV 3 with several switches.
- Colors in brackets with stainless steel 316L version.



7. Dimensions and drilling:

Drilling ϕ 4mm



Z.I des Richardets 93160 NOISY LE GRAND
34, allée du Closeau FRANCE

Tel: 0033(0)1 43 04 58 83
Fax: 0033(0)1 43 04 00 49

V2.0