

Trojan T15 Tongue Interlock Switches

Catalog Numbers 440K-T11267, 440K-T11268, 440K-T11269, 440K-T11270, 440K-T11273, 440K-T11276, 440K-T11279, 440K-T11280, 440K-T11283, 440K-T11284, 440K-T11287, 440K-T11288, 440K-T11303, 440K-T11305, 440K-T11307, 440K-T11384, 440K-T11385, 440K-T11386, 440K-T11387, 440K-T11388, 440K-T11389, 440K-T11390, 440K-T11391, 440K-T11392, 440K-T11393, 440K-T11394, 440K-T11395, 440K-T11396, 440K-T11397, 440K-T11398, 440K-T11399, 440K-T11463, 440K-V2NNBPS, 440K-V2NNGPS-NG, 440K-V2NNSPS

Summary of Changes

Converted multiple language pub to English only.

Installation

Installation of the Trojan™ T15 must be in accordance with the following steps and stated specifications and implemented by suitably competent personnel. The unit is not to be used as a mechanical stop. Guard stops and guides must be mounted.

Adherence to the recommended maintenance instructions forms part of the warranty.



ATTENTION: The presence of spare actuators can compromise the integrity of the safety systems. Personal injury or death, property damage, or economic loss can result. Appropriate management controls, working procedures, and alternative protective measures should be introduced to control their use and availability.



WARNING: Do not defeat, tamper, remove, or bypass this unit. Severe injury to personnel could result.

Table 1 - Specifications

Attribute	Value
Safety contacts	2 N.C. or 1N.C. direct opening action
Thermal current	10 A
Auxiliary contacts	1 N.O.
Ingress protection rating	IP67
Operating temperature	-20...+80 °C (-4...+176 °F)
Mechanical life	1,000,000 operations
Torque settings, max	1.4 N·m (12.39 lb·in) mounting bolts 1.2 N·m (10.62 lb·in) mounting bolts 1.0 N·m (8.85 lb·in) mounting bolts



ATTENTION: The safety contacts of these products are described as normally closed (N.C.), for example, with the guard closed, actuator in place (where relevant) and the machine able to be started.

Maintenance

Every week, check the alignment of the actuator to the switch and the correct operation of the switching circuit. Also check for signs of abuse or interference. Inspect the switch casing and actuator for damage. Replace if needed.

At least every six months, isolate all power. Remove the lid and end cover. Inspect all terminals for tightness. Clean out any accumulation of fine dirt. Check for any sign of wear of damage, for instance, actuator wear, cam assembly wear, contact oxidization and replace if needed. Replace cover and tighten screws to specified settings. Reinstall the power and check for correct operation. Reapply tamper evident varnish or similar compound for mountings.

Repair

If there is any malfunction or damage, make no attempts at repair. Replace before machine operation is allowed. **DO NOT DISMANTLE THE UNIT.**

Information in Regard to UL508

The temperature rating of field wiring can't be less than ambient when used in elevated ambient zones.

Use copper conductors only. Use polymeric conduit only. End of line device.

IMPORTANT After installation and commissioning, the actuator, switch, and switch lid mounting screws should be coated with tamper evident varnish or similar compound.



The products shown in this document, conform with the Essential Health and Safety Requirements (EHSRs) of the European Machinery Directive. These products are third-party certified to EN 60947-5-1 and EN ISO 14119.

Declaration of Conformity and certification: rok.auto/certifications.

ISO 14119 defines types of interlocking devices and coding.



ATTENTION: Discard the plastic transit plugs (shipped with select conduit models only) at installation and replace with UL Listed outlet box plugs or the equivalent.

Figure 1 - Approximate Dimensions [mm (in.)]

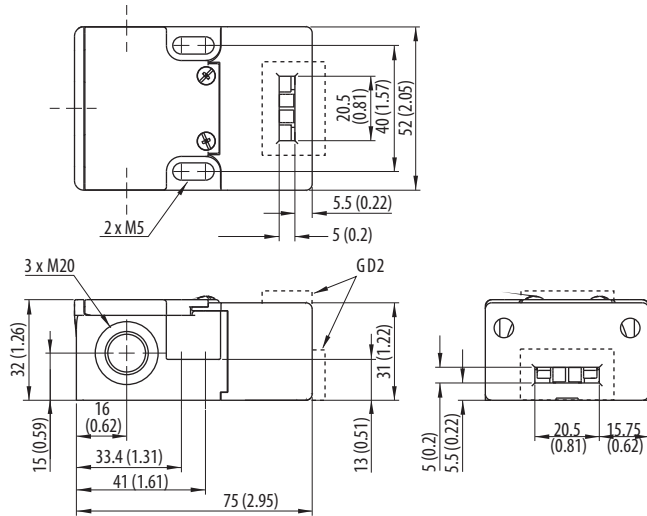
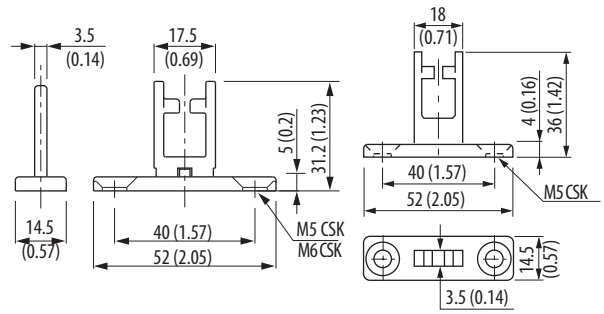
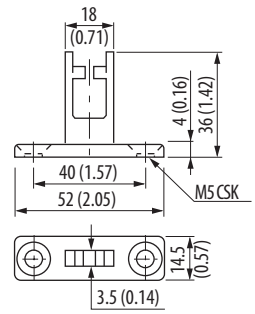


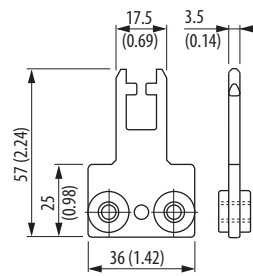
Figure 2 - Approximate Key Dimensions [mm (in.)]



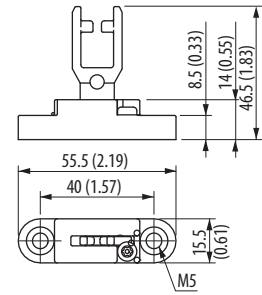
Cat. No: 440K-A11238



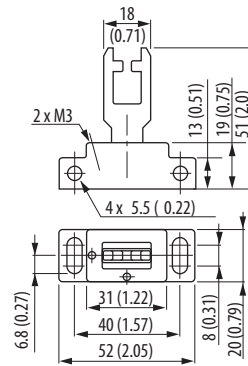
Cat. No: 440G-A27011



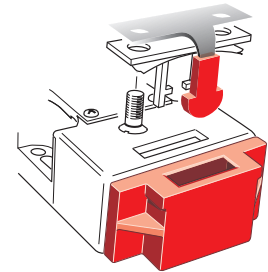
Cat. No: 440K-A11112



Cat. No: 440K-A11144



Cat. No: 440K-A27010



Cat. No: 440K-A11094

Figure 3 - Assembly

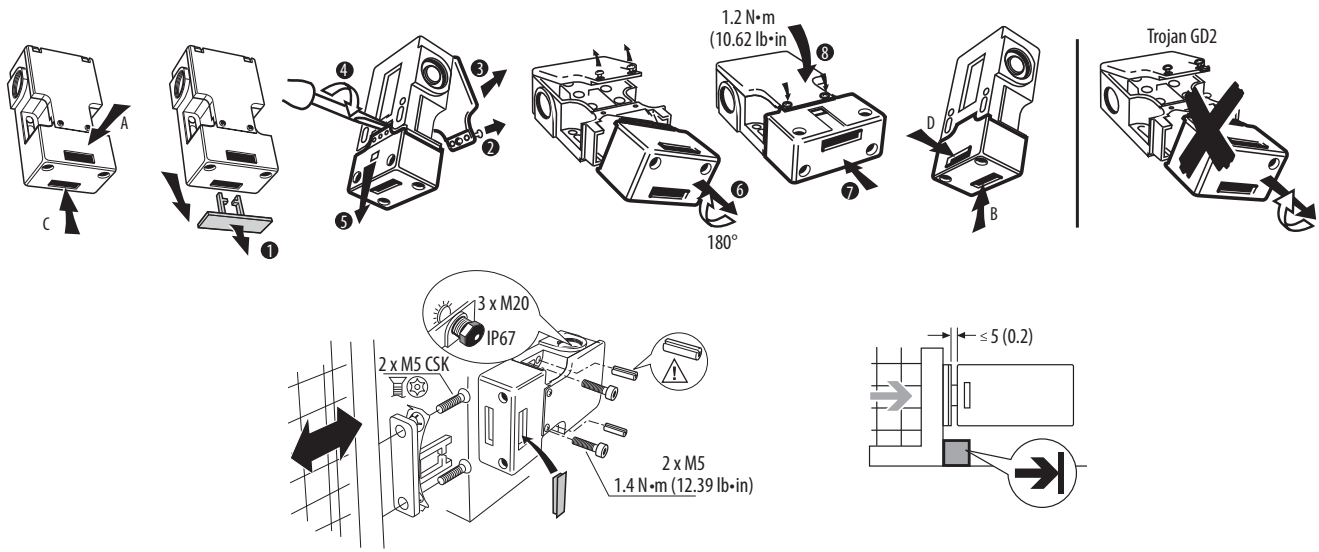


Figure 4 - Wiring

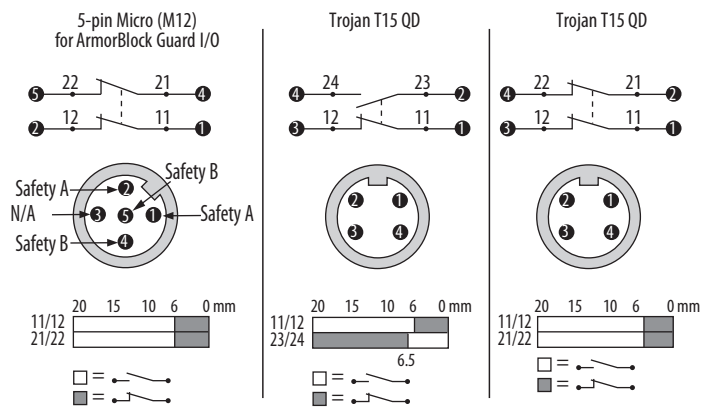


Table 2 - Angle of Insertion [mm (in.)]

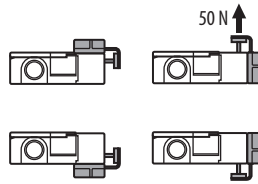
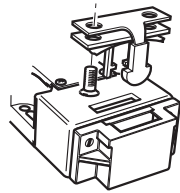
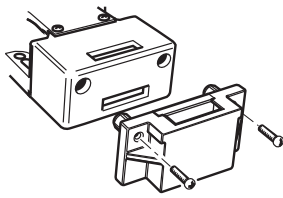
Part Number	Angle 1 [mm (in.)]	Angle 2 [mm (in.)]	Angle 3 [mm (in.)]	Angle 4 [mm (in.)]
440K-A11238	175 (6.89)	175 (6.89)	175 (6.89)	175 (6.89)
440G-A27011	175 (6.89)	175 (6.89)	175 (6.89)	175 (6.89)
440K-A11112	175 (6.89)	175 (6.89)	175 (6.89)	175 (6.89)
440K-A11144	175 (6.89)	60 (2.36)	60 (2.36)	175 (6.89)
440K-A27010	60 (2.36)	60 (2.36)	60 (2.36)	60 (2.36)

Check to be sure that the machine is isolated and stopped whenever the interlocked guard door is open.

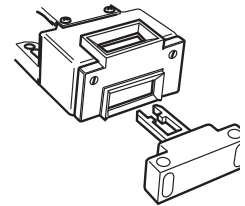
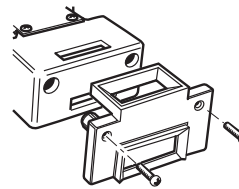
IMPORTANT After installation and commissioning, the actuator, switch, and switch lid mounting screws should be coated with tamper evident varnish or a similar compound.

Figure 5 - Actuator Position

Cat. No: 440K-A27010



Cat. No: 440K-A27010



Rockwell Automation Support

Use the following resources to access support information.

Technical Support Center	Knowledgebase Articles, How-to Videos, FAQs, Chat, User Forums, and Product Notification Updates.	https://rockwellautomation.custhelp.com/
Local Technical Support Phone Numbers	Locate the phone number for your country.	http://www.rockwellautomation.com/global/support/get-support-now.page
Direct Dial Codes	Find the Direct Dial Code for your product. Use the code to route your call directly to a technical support engineer.	http://www.rockwellautomation.com/global/support/direct-dial.page
Literature Library	Installation Instructions, Manuals, Brochures, and Technical Data.	http://www.rockwellautomation.com/global/literature-library/overview.page
Product Compatibility and Download Center (PCDC)	Get help determining how products interact, check features and capabilities, and find associated firmware.	http://www.rockwellautomation.com/global/support/pcdc.page

Documentation Feedback

Your comments will help us serve your documentation needs better. If you have any suggestions on how to improve this document, complete the How Are We Doing? form at http://literature.rockwellautomation.com/idc/groups/literature/documents/du/ra-du002_-en-e.pdf.

Waste Electrical and Electronic Equipment (WEEE)



At the end of life, this equipment should be collected separately from any unsorted municipal waste.

Rockwell Automation maintains current product environmental information on its website at <http://www.rockwellautomation.com/rockwellautomation/about-us/sustainability-ethics/product-environmental-compliance.page>.

Allen-Bradley, Rockwell Automation, Rockwell Software, and Trojan are trademarks of Rockwell Automation, Inc. Trademarks not belonging to Rockwell Automation are property of their respective companies.

Rockwell Otomasyon Ticaret A.Ş., Kar Plaza İş Merkezi E Blok Kat:6 34752 İçerenköy, İstanbul, Tel: +90 (216) 5698400

www.rockwellautomation.com

Power, Control and Information Solutions Headquarters

Americas: Rockwell Automation, 1201 South Second Street, Milwaukee, WI 53204-2496 USA, Tel: (1) 414.382.2000, Fax: (1) 414.382.4444
 Europe/Middle East/Africa: Rockwell Automation NV, Pegasus Park, De Kleetlaan 12a, 1831 Diegem, Belgium, Tel: (32) 2 663 0600, Fax: (32) 2 663 0640
 Asia Pacific: Rockwell Automation, Level 14, Core F, Cyberport 3, 100 Cyberport Road, Hong Kong, Tel: (852) 2887 4788, Fax: (852) 2508 1846

Publication 440K-IN003B-EN-P - August 2019

Supersedes Publication 440K-IN003A-EN-P - January 2016

91595 Ver 10

Copyright © 2019 Rockwell Automation, Inc. All rights reserved. Printed in the U.S.A.