

ELS 263

Technical data

Optical

Operating range	0.5 ... 6 m
Aperture angle	
- Emitter	±5° at 3 m
- Receiver	±20° at 3 m
Max. ambient light	100,000 Lux

Mechanical

Enclosure rating	IP67
Temperature range	-20 °C ... +60 °C

Electrical

Supply voltage U _{sp}	10 ... 30 VDC
Typ. current consumption	
- Emitter	< 12 mA at 20 V
- Receiver	< 10 mA at 20 V
Output	PNP/NPN
Max. output current	200 mA (short circuit proof)
Max. saturation voltage at output	2.5 V
Rise time - Receiver	20 ms
Fall time - Receiver	20 ms

General

EMC emission	EN 50081-1/2
EMC immunity	EN 50082-1, IEC 61000-6-2
RoHS	2011/65/EU
Certificate	CE

Connection cable and electrical connection

Cable length (cable or plug)	5 / 10 / 20 m
Diameter	Ø 3.5 mm
Jacket color	
- Emitter	Black
- Receiver	Gray
Emitter - wires	2 × 0.14 mm ² , AWG26
• brown	U _{sp}
• blue	GND (0 V)
Receiver - wires	3 × 0.14 mm ² , AWG26
• brown	U _{sp}
• blue	GND (0 V)
• black	Output



CEDES AG is certified according to ISO 9001: 2015

Features

- Simplest assembly (snap in)
- Integrated controller
- PNP or NPN output, light or dark switching available
- Also reliable for outside applications
- Microprocessor control
- First-class electromagnetic compatibility



Dimensions and mounting conditions

All dimensions in mm
Emitter and Receiver have identical housing

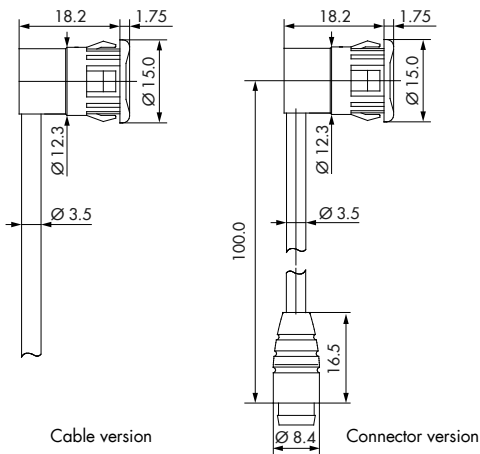
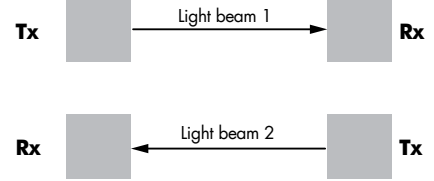


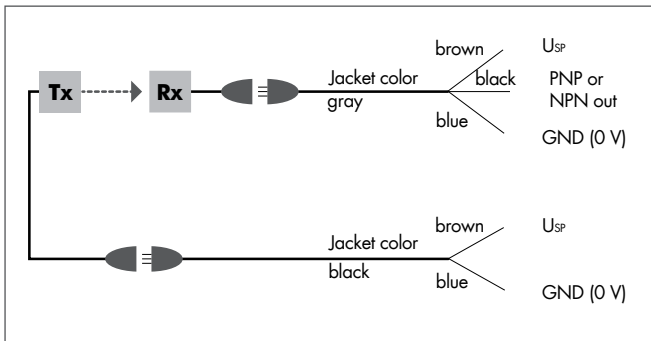
Plate thickness (mm)	Mounting hole (mm)		
	Ø 12.5	Ø 13.0	Ø 13.5
1.25	✓	✓	✗
1.50	✓	✓	✗
2.00	✓	✓	✓
2.50	✗	✓	✓

✓ = good ✗ = insufficient

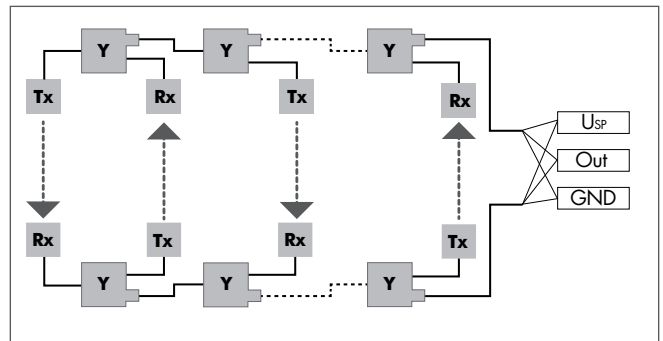


When using two through beam light barriers, pay attention to crossed mounting.

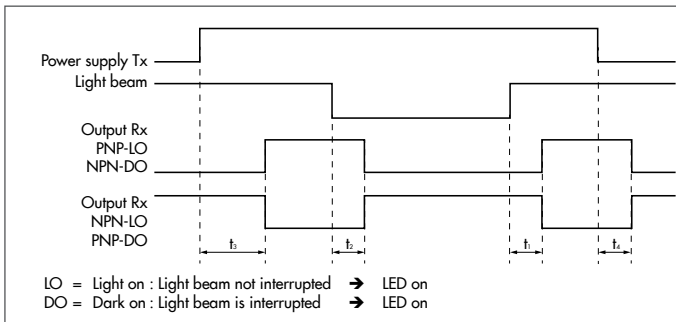
Connections



Connections with Y-switch



Timing diagram



	Time	Value
Rise time	t_1	20 ms
Fall time	t_2	20 ms
Turn-on time	t_3	≤ 80 ms
Turn-off time	t_4	≤ 27 ms

Application examples

