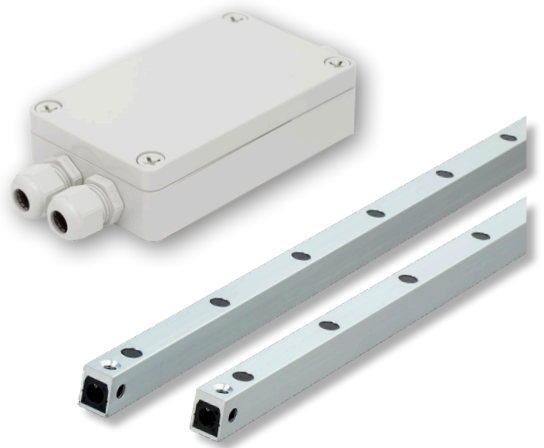


GridScan/Mini-SR

Technical data

FEATURES

- ▶ Criss-cross beams
- ▶ Safety Category 2 and Performance Level D without testing by the elevator controller
- ▶ Ideal for EN 81-41 certified elevators
- ▶ Optimized to avoid optical bypassing
- ▶ Electrical synchronization for increased light and strobe immunity
- ▶ Relay output (direct wiring into the safety circuit)
- ▶ 24 VDC and 230 VAC versions available
- ▶ Cross-section only 12 mm × 16 mm, side and front mounting possible



OPTICAL

Max. operating range	0.5 ... 1.5 m
Max. protection height	1,805 mm
No. of optical elements	43
Max. ambient light	100,000 Lux

MECHANICAL

Cross section	12 mm × 16 mm
Housing material	Aluminum, natural anodized
Enclosure rating	
- Edges	IP65
- FSS Control Unit	IP66
Temperature range	-25°C ... +60°C

ELECTRICAL

Supply voltage Usp	24 VDC ±20%	230 VAC
Typ. current consumption at 24 VDC	150 mA	
Relay output	Max. 250 VAC / 3 A	Max. 30 VDC / 3 A
	Min. 5 VDC / 10 mA	
Typ. response time	140 ms	
Status LED Rx:	Object detected	red
	No object detected	green
Power LED Tx:	Power ok	green

GENERAL

EMC emission	EN 61000-6-3:2007, EN 12015:2014
EMC immunity	EN 61000-6-2:2005, EN 12016:2013
Vibration	IEC 60068-2-6:2007
Shock	IEC 60068-2-27:2008
RoHS	2011/65/EU
Certificates	CE, TÜV
Safety category	EN ISO 13849-1:2008, Cat. 2, PL D

CONNECTION CABLE AND ELECTRICAL CONNECTION

Synchronization cable

Length	3 m
Diameter	Ø 3.5 mm
Material	PVC, black
Plug color	Black
Wires	AWG26
• brown	Usp edges
• blue	GND (0 V)
• black	Communication
• white	Test signal

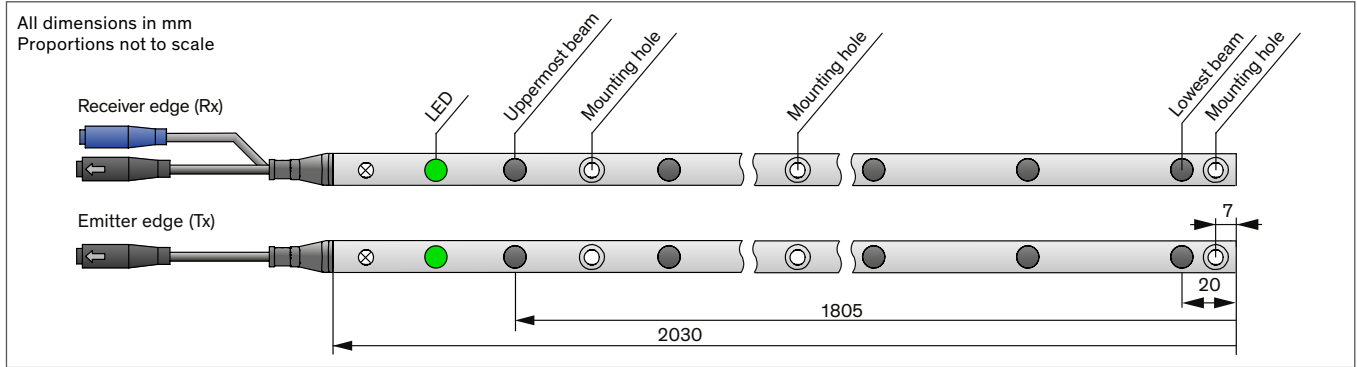
Connection cable to Safety Unit FSS

Cable length	3 m
Diameter	Ø 4.2 mm
Material	PVC, black
Plug color	Blue
Wires	AWG26
• brown	Usp edges
• blue	GND (0 V)
• black	Output (FSS)
• white	Test input
• gray	Not used
• green	Not used

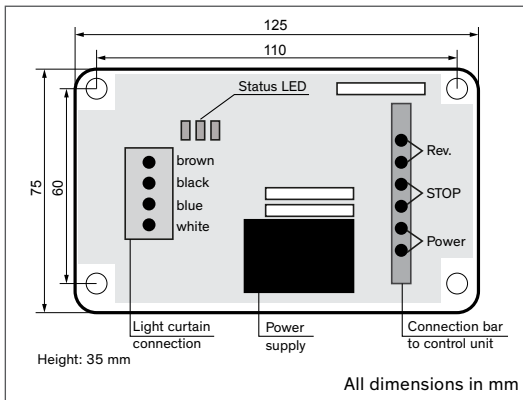


CEDES AG is certified according to ISO 9001: 2015.

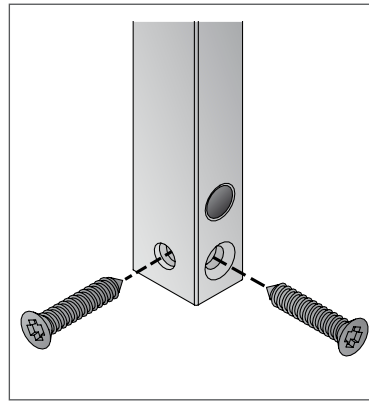
Dimensions



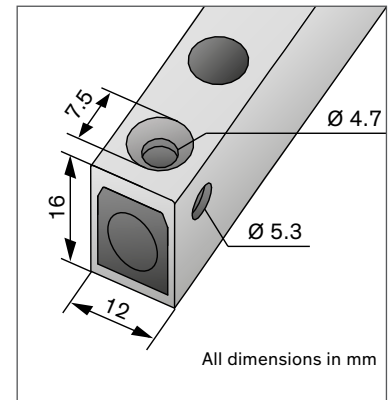
Dimensions Safety Unit FSS



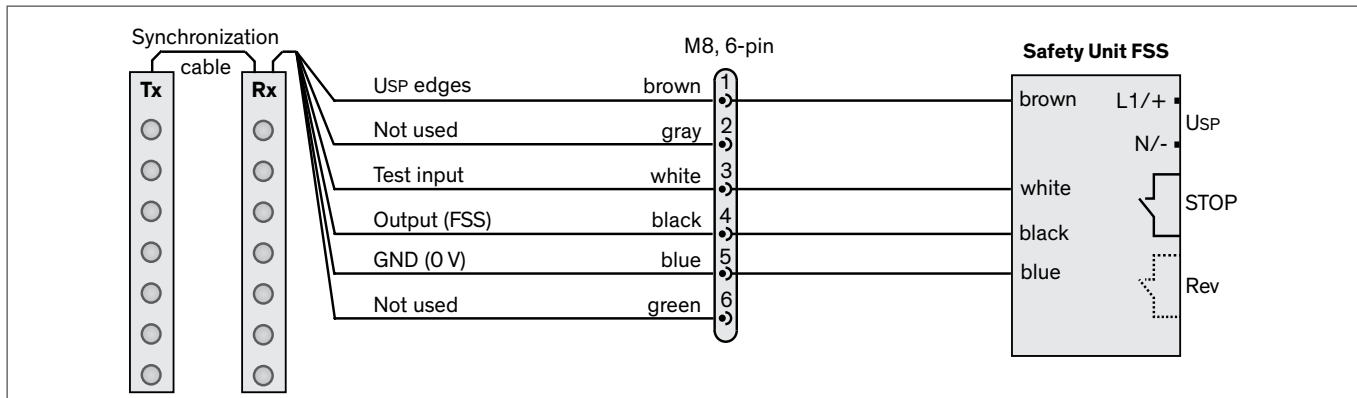
Front and side mounting



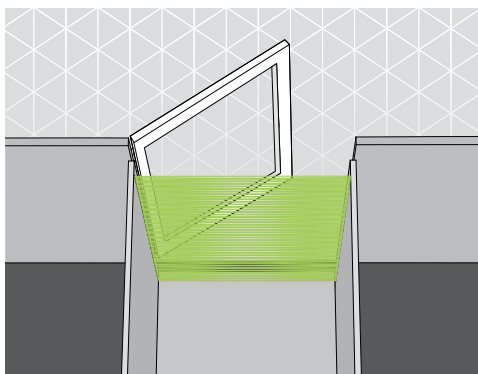
Detailed view



Connection diagram



Application



Platform elevator

Output logic

