

# cegard/Lift LI

## Technical data

### FEATURES

- ▶ Designed for elevator cabins without car doors
- ▶ Suitable for elevator controllers with safety related evaluation capabilities
- ▶ Great alternative if an installation of doors is not realizable
- ▶ TÜV approved
- ▶ Comfortable installation and integration with modern elevator controllers
- ▶ Test input enables the testing of the complete system
- ▶ No adjustments or optical alignment necessary
- ▶ Surface mounting and back wall mounting kit for easy installation
- ▶ Robust and compact design
- ▶ Self-calibrating
- ▶ Also available for applications in ATEX areas (Zone 2/22)



### OPTICAL

Operating range	0.7 ... 4 m (4 ... 8 m on request)	
Standard protection heights*	1,630 mm	1,908 mm
No. of optical elements	16	24
No. of beams	46	70
Aperture angle Tx and Rx	±20°	
Max. ambient light	Acc. to IEC 61496-2	
Wave length	Infrared 850 nm	

### MECHANICAL

Dimensions (w × h × l)		
<b>Edges</b>		
- Length	1,730 mm	2,000 mm
- Cross-section	14 mm × 17 mm	
<b>Controller</b>	200 × 120 × 45 mm	
Housing material - edges	Natural anodized aluminum	
Enclosure rating		
- Edges	IP65 (IP67 on request)	
- Controller	IP20	
Temperature range (operation)		
- cegard/Lift LI	+10°C ... +65°C	
- cegard/Lift LI IP67	-20°C ... +65°C	

### ELECTRICAL

Supply voltage U <sub>sp</sub>	24 VDC ±20%	
Typ. current consumption at 24 VDC	< 150 mA (without load)	
Relay output	Max. 1 A at 24 VDC , change-over contact (external relay with surge suppression for integration required)	
Semiconductor outputs (2x)	PNP, max. 100 mA (short circuit proof)	
Test input	0 ... 3 VDC	"LOW"
	10 ... 30 VDC	"HIGH"
Response time output (16 elements)	< 80 ms, typ. 50 ms	
Indicator LED	Controller	5x
	Edges	0x
Acoustic signal	Buzzer, 4 kHz	
	On/Off selectable	

\* other protection heights are optionally available

### CONNECTION CABLE

	Tx (Emitter)	Rx (Receiver)
Length**	6 m	6 m
Material	PVC, black	PVC, black
Diameter	Ø 6 mm	Ø 6 mm
Connection	Caged tension spring terminal	
Plug color	White, 8-pin	Blue, 8-pin

### GENERAL

Functional safety	EN 61508:2010, EN ISO 13849-1:2015 EN 62061:2013
Safety light curtain	EN 61496-1:2013, EN 61496-2:2013
Safety of machinery	EN ISO 60204-1:2014
Certificates	
- TÜV Nord	EN 61508 SIL 2 and EN ISO 13849-1 Cat. 2 / PL d
- CE	2006/42/EG
RoHS	2011/65/EU

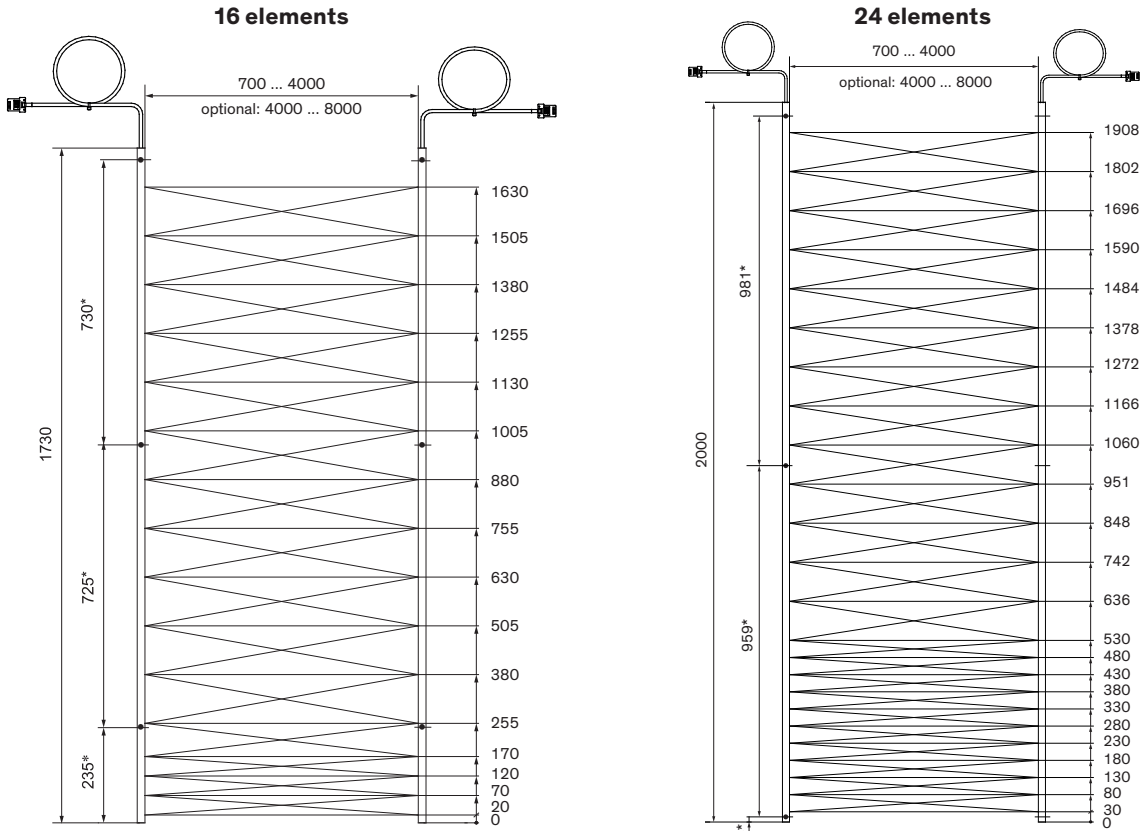
\*\* other cable lengths are optionally available



CEDES AG is certified according to ISO 9001: 2015.

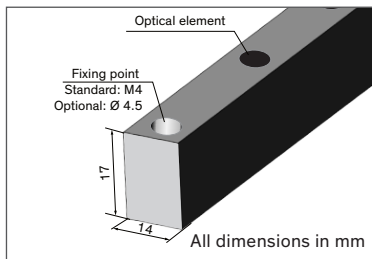
## Dimensions

All dimensions in mm  
 Proportions not to scale

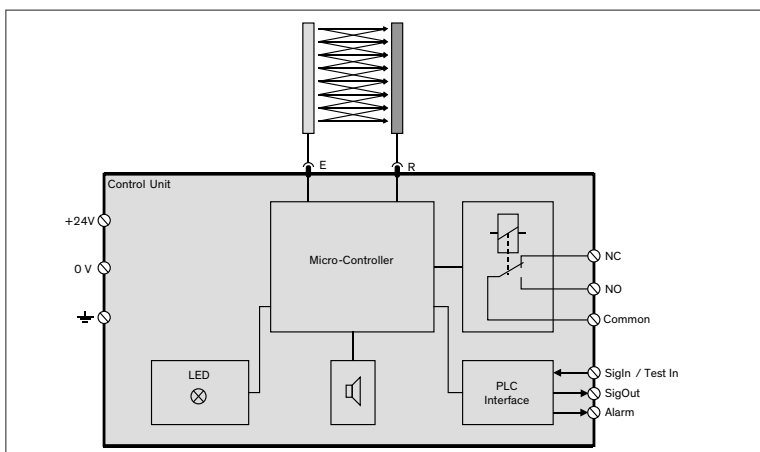


\* Fixing points

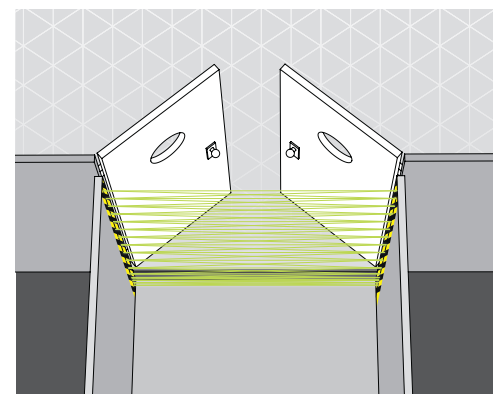
## Detailed view



## Block circuit diagram



## Application



cegard/Lift LI for safer journeys in elevators without car doors